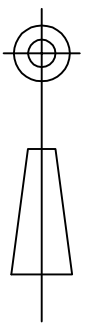
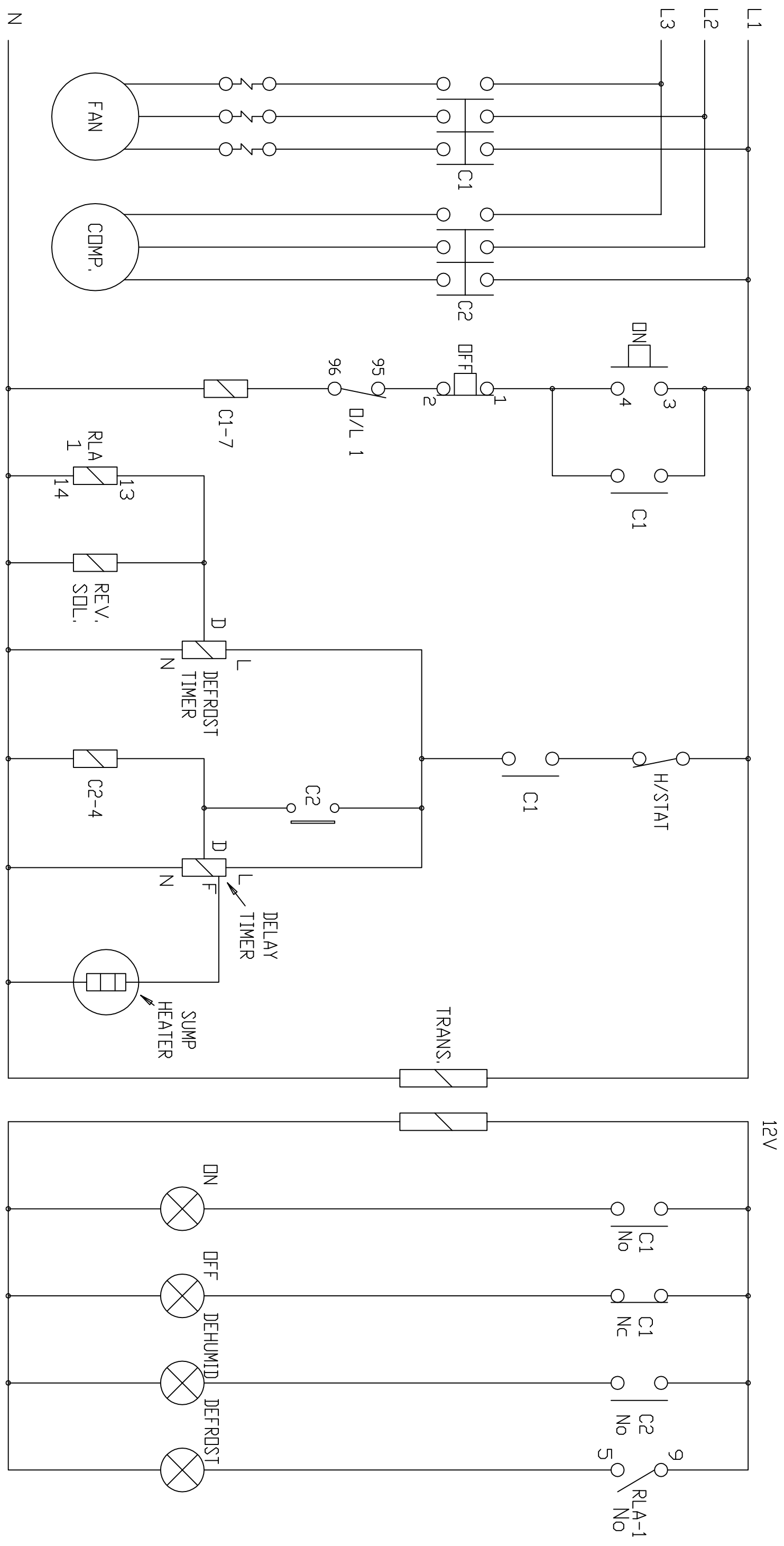


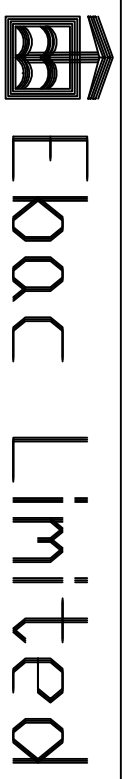
3RD ANGLE PROJECTION



DRG. NO. 5020103



DRAWN	P.D.THOMPSON	ISS.	1
CHECKED		DATE	23/08/12
APPROVED		C/N	WDA
SCALE	N.T.S.		
INSPECTION PROCEDURE	MATERIAL	FINISH	
TOLERANCE UNLESS STATED		DIMENSIONS IN m.m.	



TITLE	SCHEMATIC WIRING DIAGRAM FOR CD425 WITH INTERNAL CONTROLS	SECURITY CLASSIFICATION
DRG.NO.	5020101	