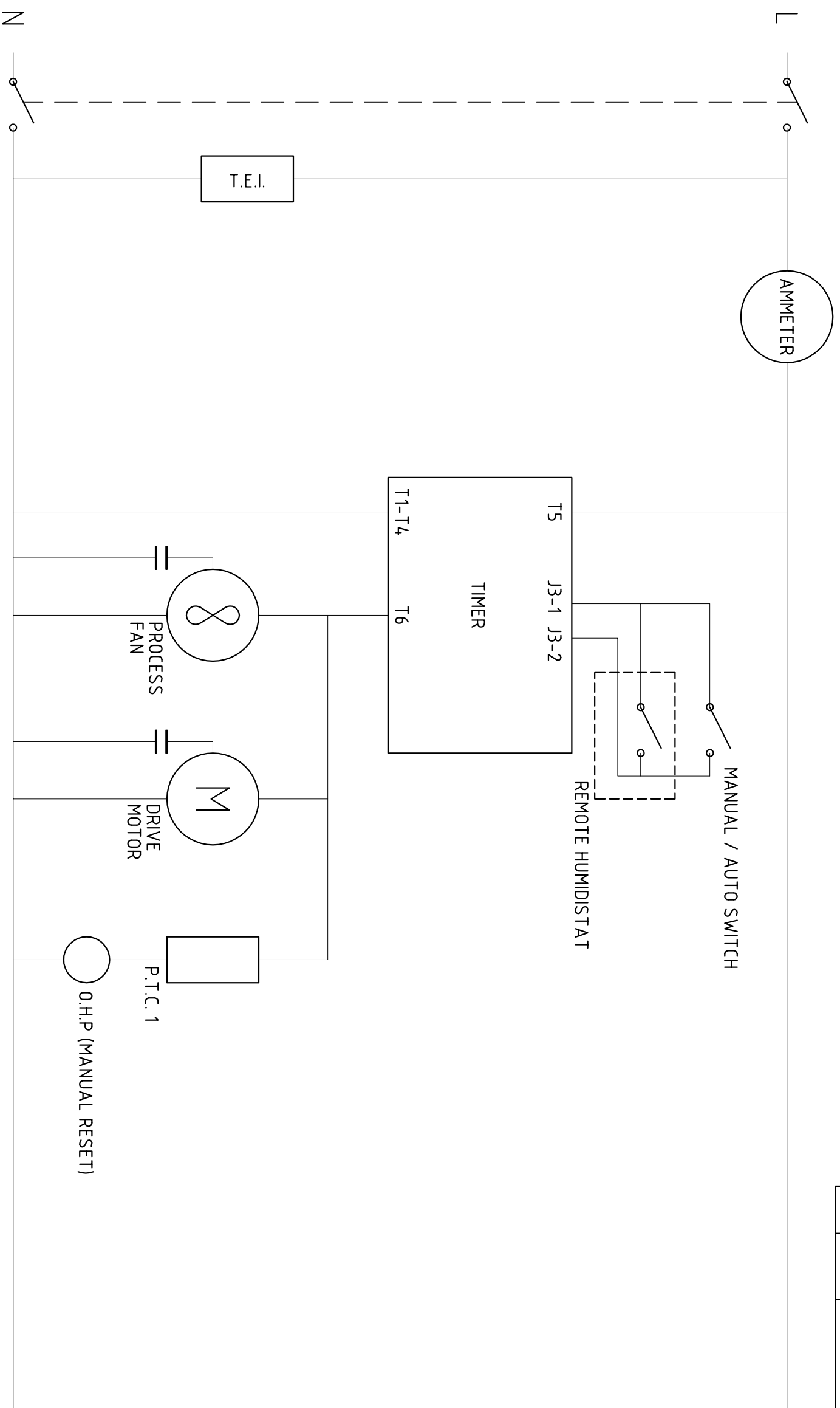
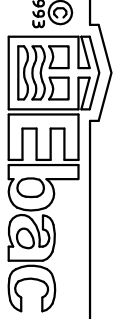


ISSUE	DATE	AMENDMENTS
A	17/08/09	ORIGINAL
B	07/09/09	OPERATION CHANGED - WDA
1	10/11/09	PRE-PRODUCTION ISSUES RESOLVED - WDA



 LIMITED BISHOP AUCKLAND ENGLAND		TITLE 0.9KW DESICCANT - SCHEMATIC	
DIMENSIONS IN m.m. TOLERANCES UNLESS OTHERWISE STATED ± 1 ± 0.25 ± 0.05 ANGULAR ± 0.5 DEGREE		MATERIAL N/A	
FINISH N/A		DRAWN: W DAGLISH CAD SCALE: N/A	
DRG.NO. 5020304		SHEET 1 OF 1	

3RD ANGLE PROJECTION
 DO NOT SCALE
 IF IN DOUBT ASK