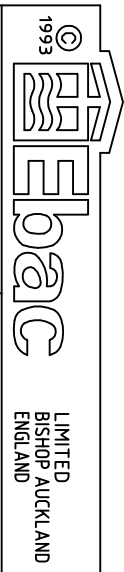
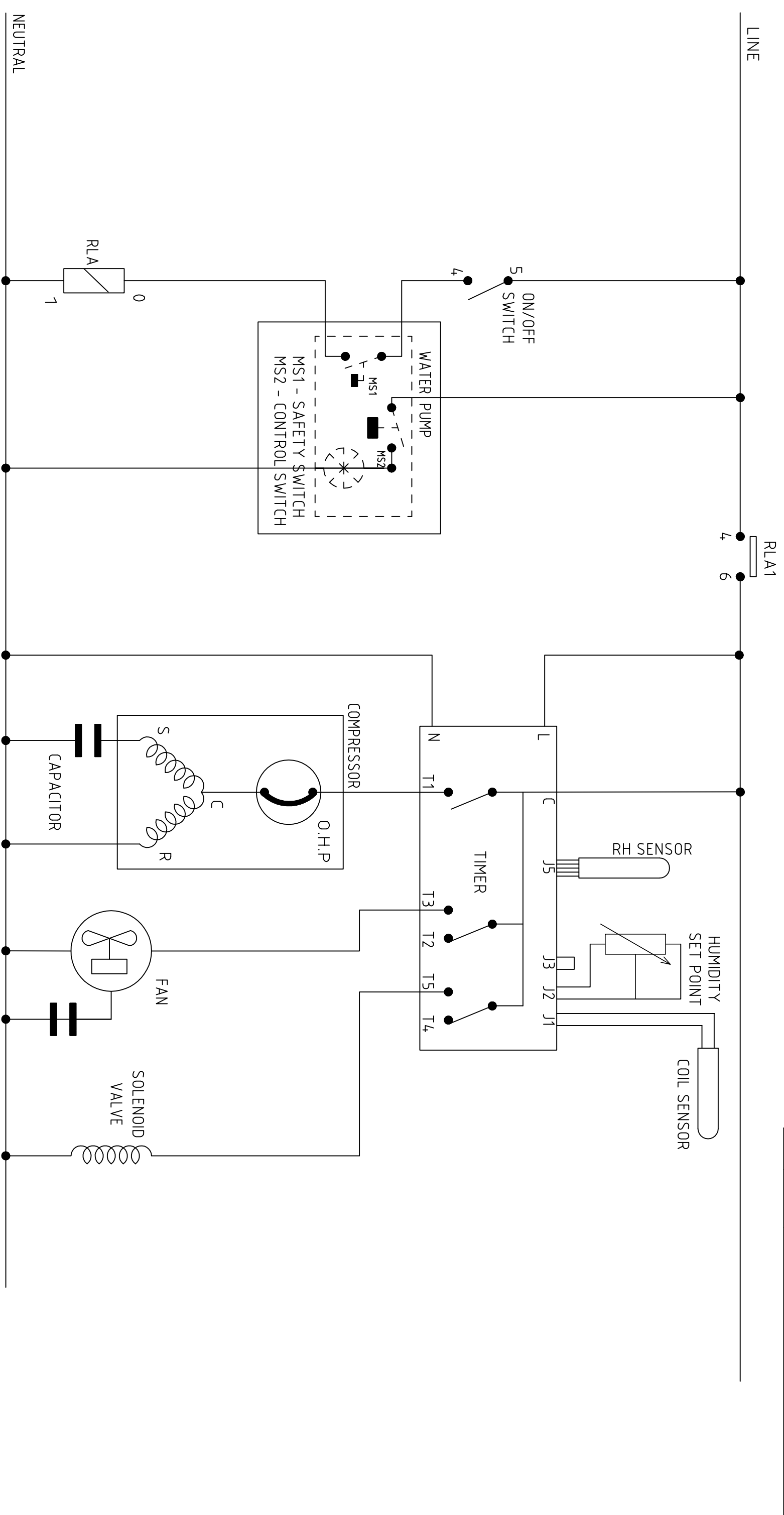


ISSUE	DATE	AMENDMENTS
1	26/11/15	ORIGINAL
2	05/01/16	PCB LAYOUT CORRECTED - WDA
3	06/06/16	DEFROST / FAN CORRECTED - WDA



TITLE  
CS90E (UK) - WIRING SCHEMATIC

3RD ANGLE PROJECTION DO NOT SCALE IF IN DOUBT ASK	DIMENSIONS IN m.m. TOLERANCES UNLESS OTHERWISE STATED	MATERIAL	DRAWN : W DAGLISH
0.0 0.00 ANGULAR ± 0.5 DEGREE	± 1 ± 0.25 ± 0.05	FINISH	CAD SCALE : N/A
			DRG.NO. 5020406
			SHEET 1 OF 1